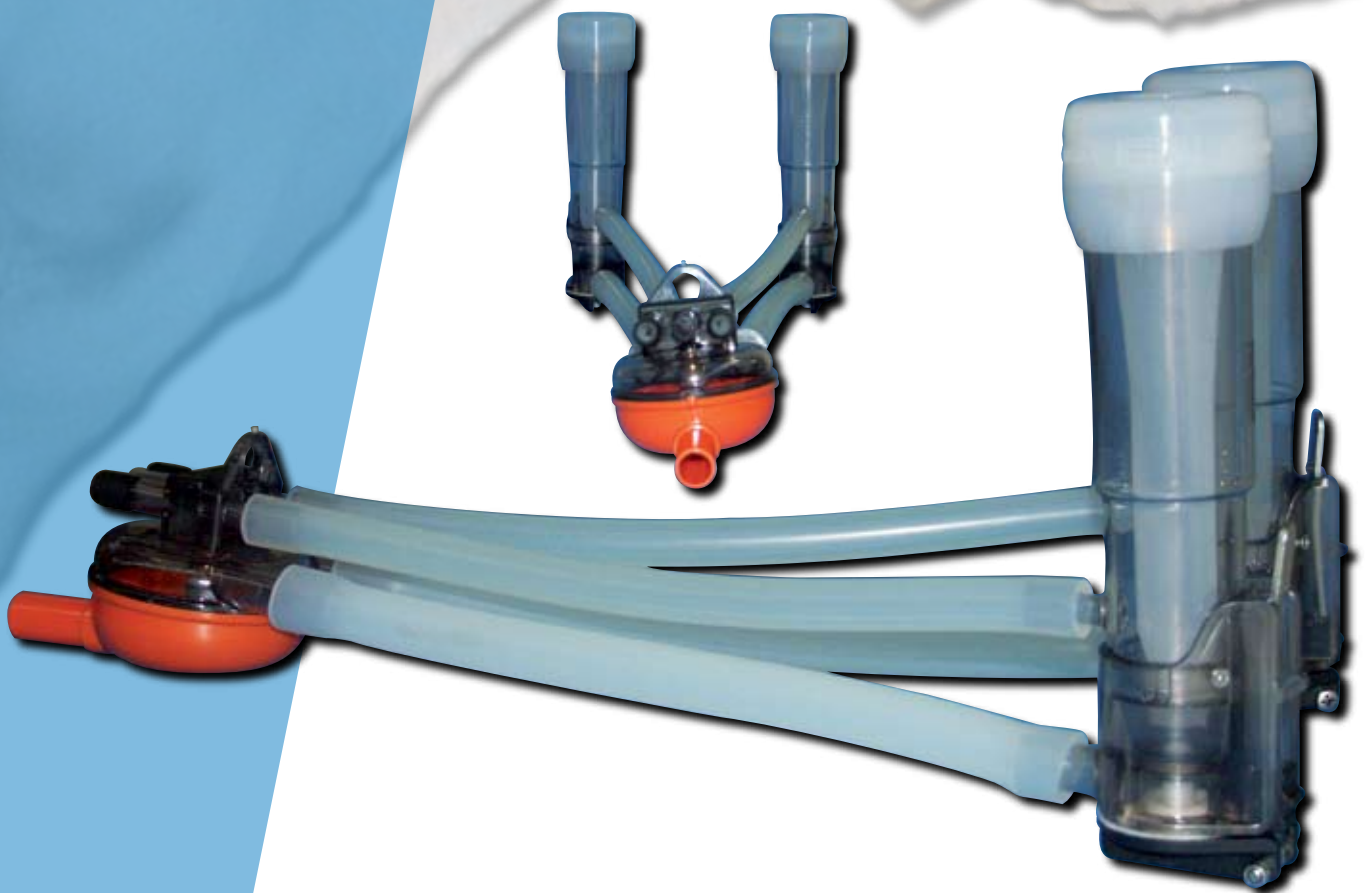


CAPRISTAR **A major improvement for Goat Milking**

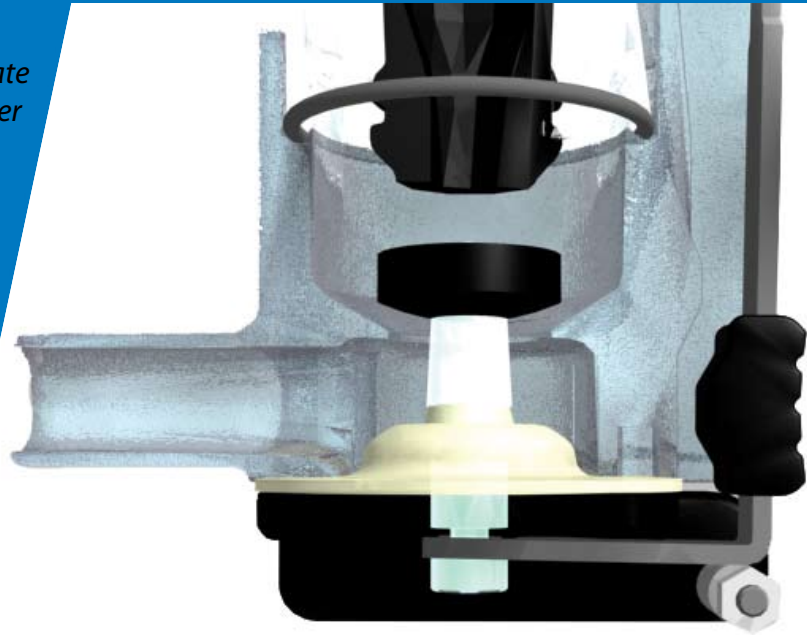
Features of the new Teat Cup:

- *Milking starts automatically*
- *Faster milk out*
- *Safe and hygienic milking*



THE CAPRISTAR CLUSTER

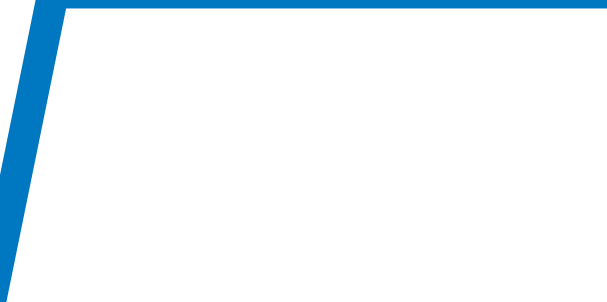
- The main advantage of this cluster is the immediate reaction of the automatic vacuum shutoff valve after cluster removal or in case of accidental drop-off. .
- Milking starts automatically when the teat enters the liner, or manually by touch of a lever connected to the rapidly opening valve.
- At the end of milking the lever ensures the soft removal of the cluster without impact on the teat, the automatic closure device remaining operational in case of accidental drop-off. Shutoff valves in every teat cup permit teats to be milked independently.
- The shutoff valve is completely tight and does not let pass any milk when closed. Alternate between milk and wash mode by simply activating a lever. The valve assembly is situated in a socket under the teat cup, so that liners can be replaced very rapidly.
- The cluster is made from polysulfone and is therefore highly resistant; teat cup, valve housing and claw top are transparent for better visibility of the liner and the milk flow at the end of milking. The new CAPRISTAR teat cup is equipped with 11mm outlets to improve milk flow; moreover, these outlets meet the future new standards for goat milking.



ADVANTAGES

- Shutoff in case of accidental drop-off
- Faster milk out
- Automatic opening and closing of teat cup
- Functions with or without cluster removal
- For low-line or high-line installations
- High milk flow
- Fast and simple maintenance

Your dealer:



D 160050